

An Improved Apparatus for

Laboratory Vacuum Filtration



A safer, more stable solution to Vacuum Filtration from Ace Glass. Out with silicone stoppers, collars and clamps. In with Ace-Thred™ funnel to filter flask couplings and Ace-Safe™ hose connections. Not only does the threaded connection between the funnel and the filter flask increase the effectiveness of the vacuum seal, it also offers a rigidity between the two that will increase the safety aspect of the entire apparatus if chain clamped to a stand.

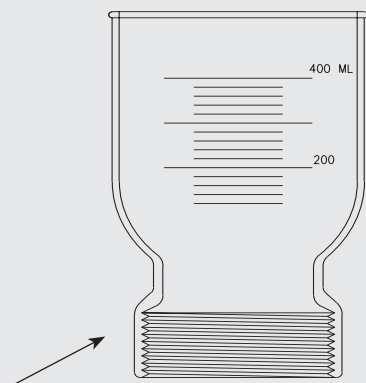
The funnel to filter flask couplings are designed to accept 25mm, 47mm or 75mm filter membranes. Choose the apparatus size that fits your need.

The complete unit is supplied with a porosity B (70-100 micron) fritted glass filter membrane support, however one may optionally order from a variety of glass, polypropylene, nylon or PTFE supports.

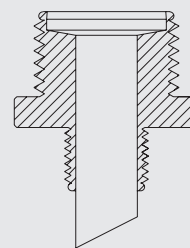
Features:

- *No Clamps, no leakage, no misalignment*
- *Easy to remove filter support, simple to clean, simple to change porosity*
- *Better membrane surface area utilization, e.g. 45mm of 47mm membrane will be exposed*
- *Funnel/flask coupling is available in either Nylon or PTFE*
- *Designed for 25mm, 47mm and 75mm membrane filters*

A Unique Concept in Lab Filtration Apparatus



Nylon adapters are standard, PTFE is optional.



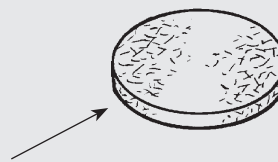
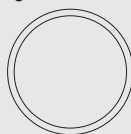
No clamp, no leakage!

Using Ace-Thred design, filter funnel and filter flask thread together without the silicone stopper and troublesome clamping device.

Better membrane utilization!

Accommodates the 47mm and 25mm membranes and uses 45mm of the 47mm grid vs. only 35-40mm in older designs.

Nylon membrane retaining ring completes seal.



Removable frits!

Unit disassembles completely for easy cleaning. Uses removable frits of different porosities, from extra coarse to extra fine, instead of expensive, sealed-in frits.

ACE Designation	Porosity Maximum Pore Dia. Range (micron)	Corning, Kimble & ChemGlass Equivalent	Most Frequent Uses
A	145-174	EC (170-220)	Coarse filtration. Gas Dispersion
B	70-100	—	Coarse filtration. Gas Dispersion
C	25-50	C (40-60)	Filtration. Gas Dispersion
D	10-20	M (10-15)	Filtration and extraction
E	4-8	F (4-5.5)	Filtration and extraction

Fritted Glass Discs Filtration Apparatus ♦

Fritted filter disks for Ace Membrane Filtration Apparatus. Special tight outside diameter and tolerance to fit 3702-10 and 3700-10 filter adapters.

Disc O.D.	Porosity A (145-174 microns)	Porosity B (70-100 microns)	Porosity C (25-50 microns)
	Order Code	Order Code	Order Code
25mm	3703-23	3703-25	3703-29
47mm	3703-45	3703-47	3703-49
75mm	—	—	3703-75



47mm Membrane Filters *Filtration Apparatus*

Ace Glass offers a unique concept for lab filtration apparatus. Using our famous Ace-Thred™ design, we are able to thread the filter funnel and filter flask together without the silicone stopper and troublesome clamping device. This design also eliminates leakage problems.

The filter unit has four basic parts; the funnel, flask, nylon adapter piece and a removable glass fritted disk. The unit can be completely disassembled for easy cleaning. Instead of a sealed-in glass fritted support, the disks can be easily removed and cleaned, and offer the availability of different frit sizes, from extra coarse to extra fine. The adapters are also available in PTFE or other polymers on special order. Choose PTFE optional accessories for an autoclavable apparatus.

Note: For a 24/40 standard taper joint connection, substitute 6979-15 Flask and 3702-05 #50 to 24/40 Adapter.

Description	Size	Order Code	
Components			
Filter Flask w/#25 Ace-Thred™ & #7 Ace-Thred™ Connector	1000mL	3702-08	♣
Nylon Adapter w/#25 Ace-Thred™ bottom & #50 Ace-Thred™ top		3702-06	♣
Nylon Ring	47mm	3702-02	♣
Funnel w/#50 Ace-Thred™ bottom, graduated	500mL	3702-04	♣
Fritted Disk, Porosity B (70-100 micron)	47mm	3703-47	♣

Complete Apparatus

3702-10 ♣

Optional Accessories

Filter Flask w/#24/40 outer joint top and hose barb side port	1000mL	6979-15	♣
Nylon Adapter w/#50 Ace-Thred top and 24/40 inner joint bottom		3702-05	♣
PTFE Adapter w/#25 Ace-Thred™ bottom & #50 Ace-Thred™ top		3704-05	★
PTFE Ring	47mm	3704-06	★
Fritted Disk, Porosity A (145-174 micron)	47mm	3703-45	♣
Fritted Disk, Porosity C (25-50 micron)	47mm	3703-49	♣
Nylon Filter Support, (57) 1/8" holes	47mm	5814-332	★
PTFE Filter Support, (57) 1/8" holes	47mm	5814-336	★
PTFE #7 Ace-Safe™ Hose Connection		5858-03	★



47mm Membrane Filters *Instatherm® Filtration Apparatus*

This apparatus differs from the standard 47mm filter apparatus as it uses Ace Glass' proprietary Instatherm® technology to evenly heat the top 500mL funnel, thus keeping the viscous materials in a flowing liquid state. The middle adapter is PTFE with a PTFE snap-ring. The interchangeable fritted disk is the Porosity C, 25-50 micron size. The entire assembly can be easily taken apart for cleaning and the fritted filter disc can easily and in-expensively be cleaned or replaced. This system is excellent for filtering oils or thick slurries and using either 47mm membranes or filter paper disks. Perfect for sample prep for various ASTM petroleum and polymer testing procedures and for new biofuel testing protocols.

Description	Size	Order Code	
Components			
Filter Flask w/#25 Ace-Thred™ & #7 Ace-Thred™ Connector	1000mL	3702-08	♣
PTFE Adapter w/#25 Ace-Thred™ bottom & #50 Ace-Thred™ top		3704-05	★
Instatherm® Coated Funnel w/#50 Ace-Thred™ bottom, graduated (Temperature controller connecting cord included)	500mL	3704-01	★
Fritted Disk, Porosity C (25-50 micron)	47mm	3703-49	♣
PTFE Ring	47mm	3704-06	★

Complete Apparatus

3704-10 ★

Optional Accessories

Filter Flask w/#24/40 outer joint top and hose barb side port	1000mL	6979-15	♣
Nylon Adapter w/#50 Ace-Thred top and 24/40 inner joint bottom		3702-05	♣
Fritted Disk, Porosity A (145-174 micron)	47mm	3703-45	♣
Fritted Disk, Porosity B (70-100 micron)	47mm	3703-47	♣
Nylon Filter Support, (57) 1/8" holes	47mm	5814-332	★
PTFE Filter Support, (57) 1/8" holes	47mm	5814-336	★
PTFE #7 Ace-Safe™ Hose Connection		5858-03	★

For temperature control, choose a member of our 12324 family of Instatherm® Controllers

